

PARTS CATALOG

PCL PRINTER KIT-J1

Canon

Oct 12 2005

PREFACE

This Parts Catalog contains listings of parts used

Diagrams are provided with the listings to aid the service technician in identifying clearly, the item to be ordered.

Whenever ordering parts, consult this Parts Catalog for all of the information pertaining to each item. Be sure to include, in the Parts Request, the full item description, the item part number, and the quantity.

COPYRIGHT (C) 1999 CANON INC.

Use of this manual should be strictly supervised to avoid disclosure of confidential information.

Contents

NUMERICAL INDEX

PCL PRINTER KIT-J11-1

PCL PRINTER KIT-J1

G98 PCL KIT2-1

NUMERICAL INDEX

PCL PRINTER KIT-J1

PARTS NUMBER	FIGURE & KEY NO.	PARTS NUMBER	FIGURE & KEY NO.	PARTS NUMBER	FIGURE & KEY NO
FK2-1233-000	G98 - 3				
FK2-1236-000	G98 - 3				
FM2-4056-000	G98 - 1				
FM2-4061-000	G98 - 2				
NPN	G98 -				
XB1-2300-407	G98 - 501				

PCL PRINTER KIT-J1

PCL PRINTER KIT-J1

F68-0095-000

Contents

G98 PCL KIT	2-1
-------------------	-----

FIGURE G98
PCL KIT

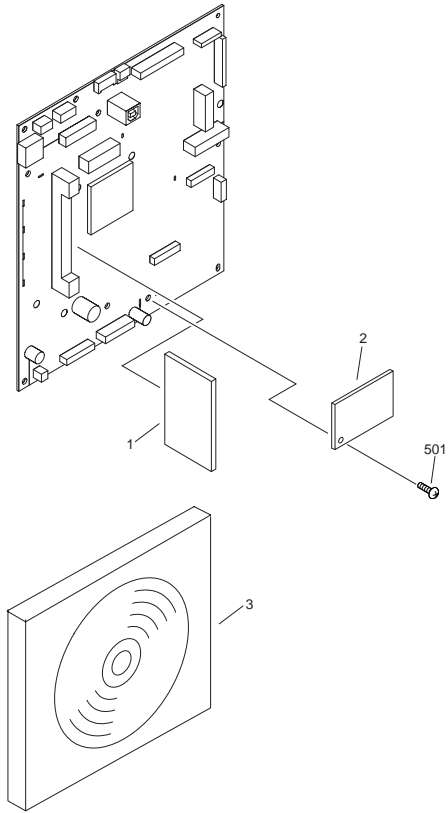


FIGURE & KEY NO.	PARTS NUMBER	RANK	Q'TY	DESCRIPTION	SERIAL NUMBER/REMARKS	SVC
Fig.G98	NPN		RF	PCL KIT		
1	FM2-4056-000		1	DDR MODULE PCB ASSEMBLY		
2	FM2-4061-000		1	ROM PCB ASSEMBLY		
3	FK2-1236-000		1	CD-ROM, USER SOFTWARE	EUR	
3	FK2-1233-000		1	CD-ROM, USER SOFTWARE	USA/ASIA	
501	XB1-2300-407		1	SCREW, BH3X4(S)		

Prepared by
OIP HFE Promotion Center
CANON INC.

Canon